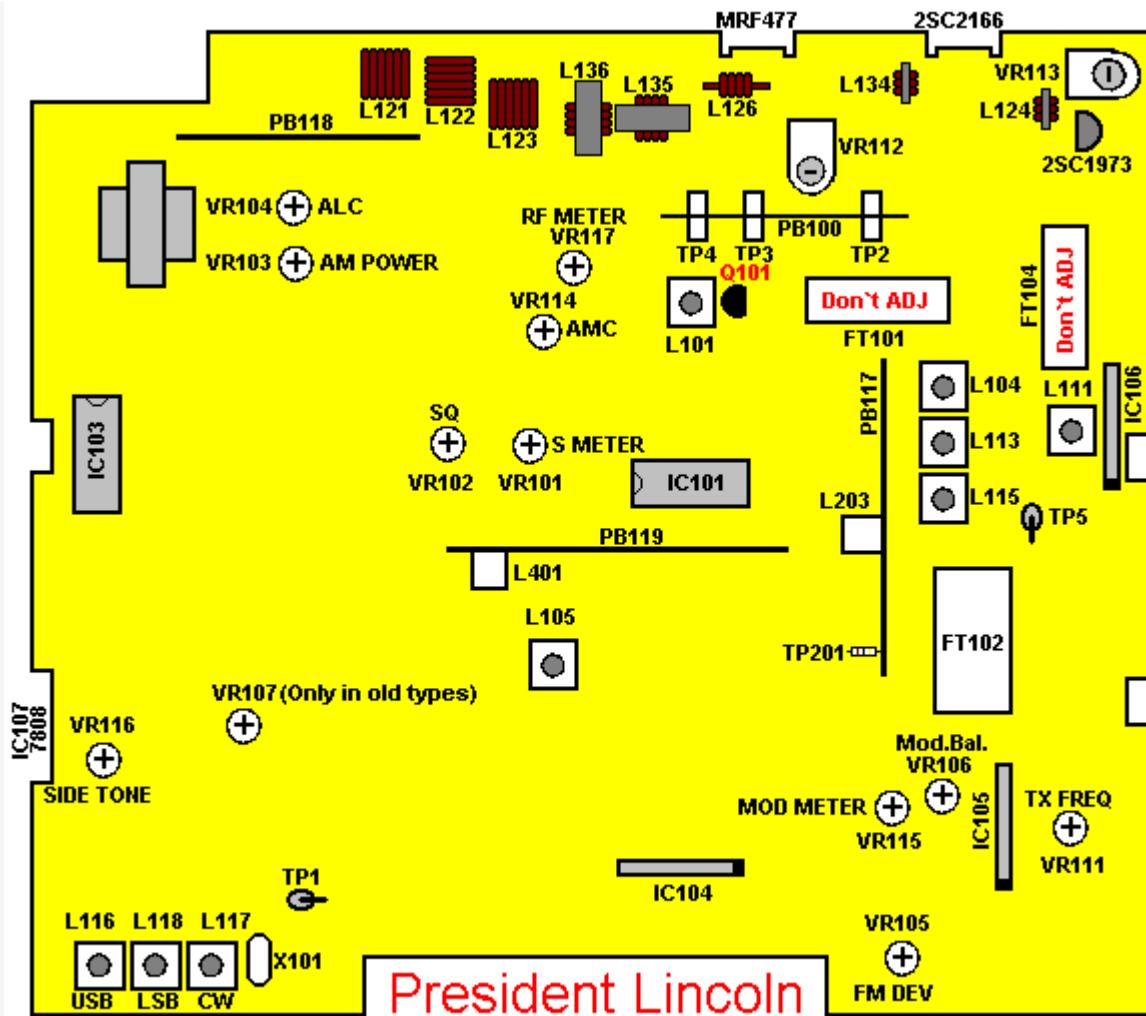
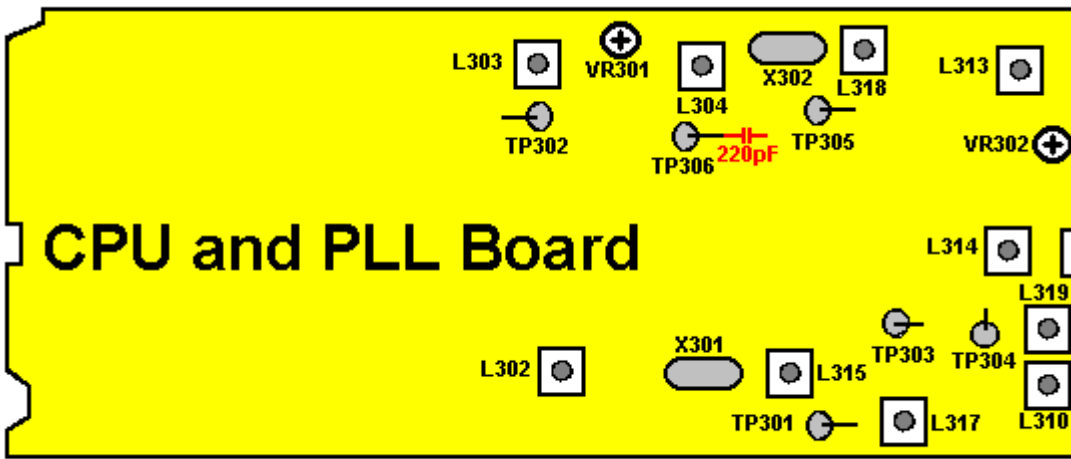
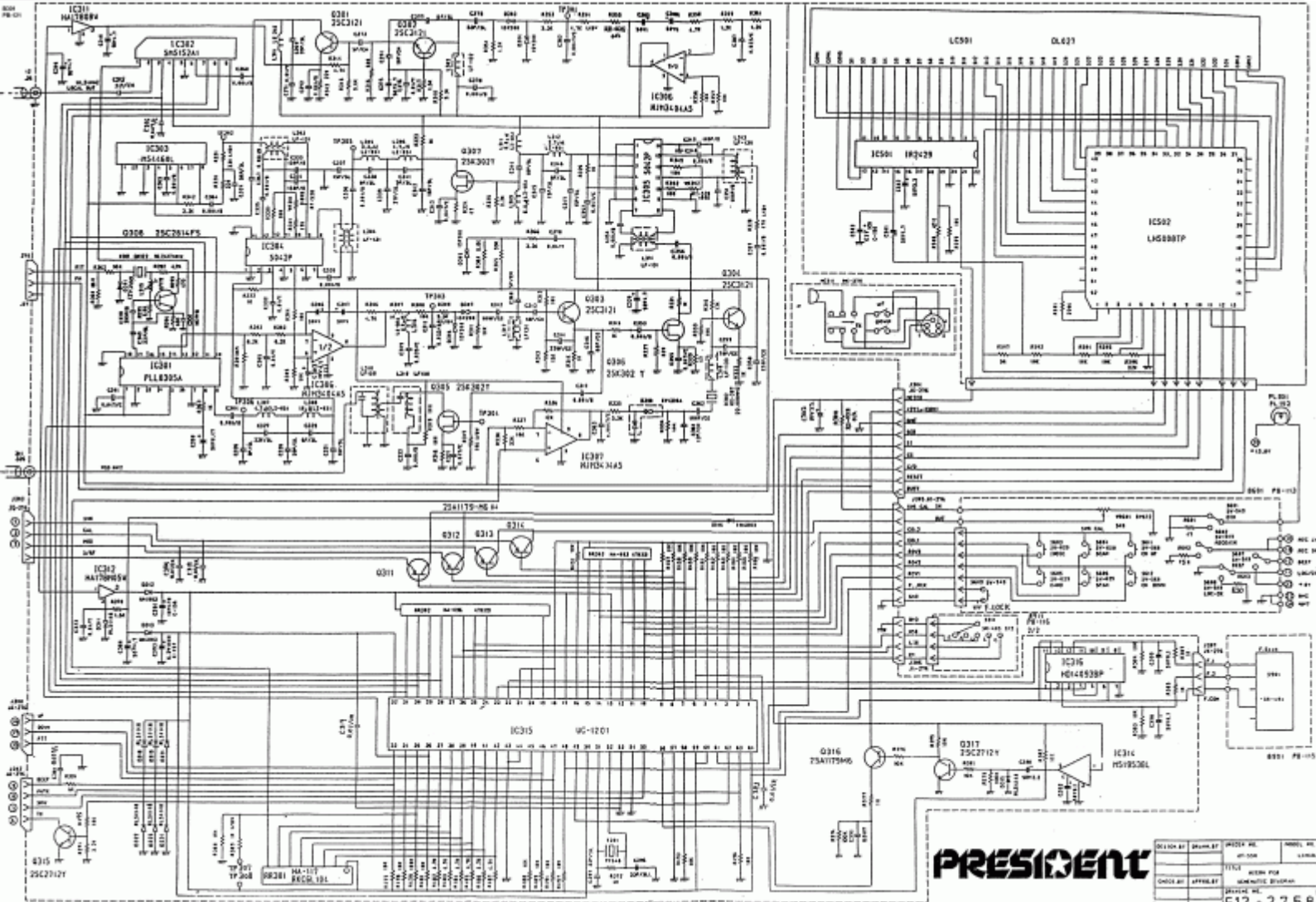


# ESQUEMA ELECTRICO DEL LINCOLN



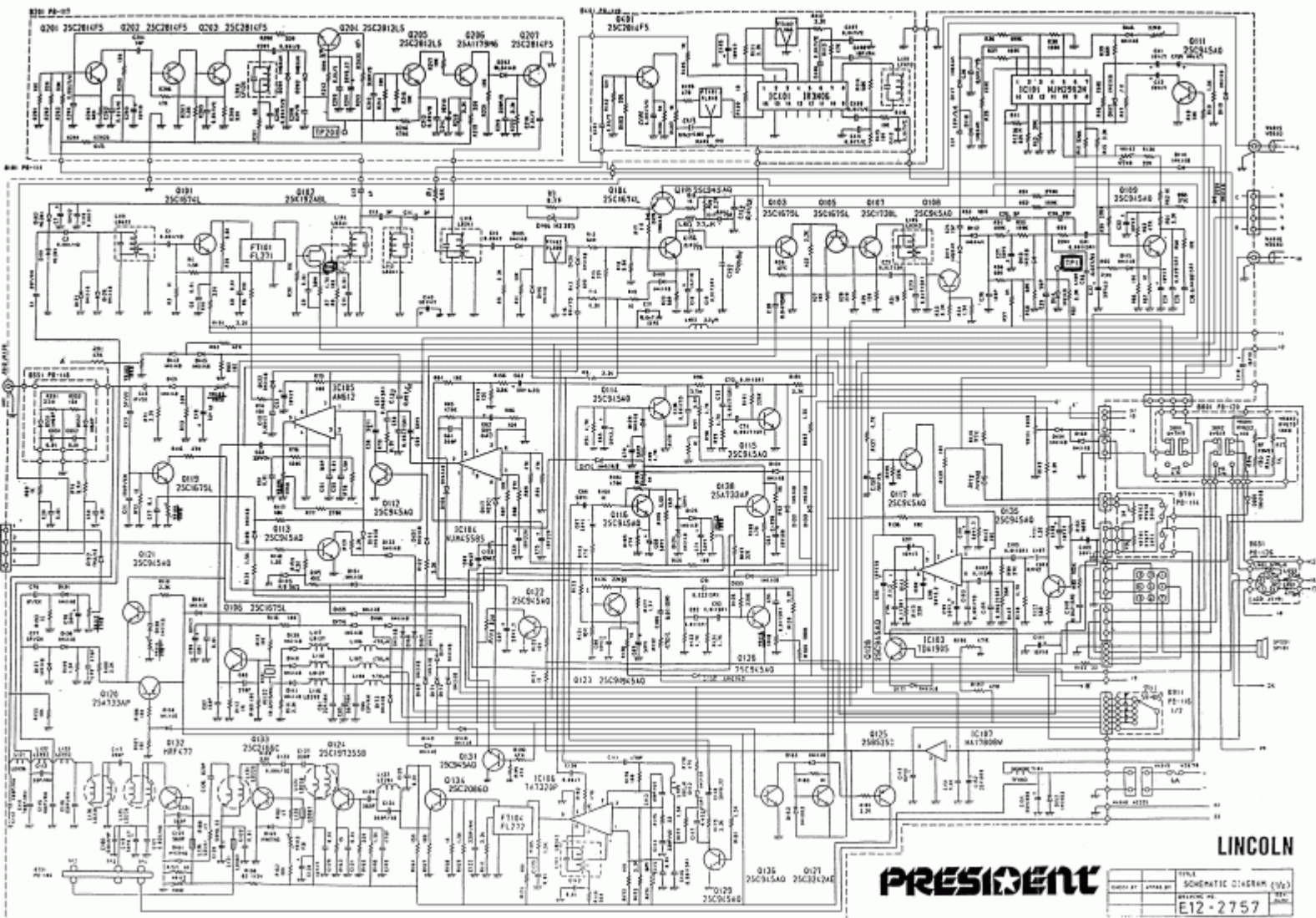


# CPU and PLL Board



**PRESIDENT**

DESIGN BY	DRUM BY	PRICE NO.	MODEL NO.
		01-208	1288A
CHECK BY	APPROVED BY	TITLE	ACORN FOR
		SCHEMATIC DIAGRAM	
		REVISED NO.	
		E12-2758	



**PRESIDENT**

**LINCOLN**

DATE	BY	TITLE
		SCHEMATIC CIRCUIT (1/2)
		REV. NO.
		E12-2757

